



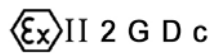
Ball Valves PN 100 (Class 600) AIN & IIN Construction (Carbon & Stainless Steel)



Fig. 660

API 6D and Fire Safe

Manufacturing program:



LICENSE NO. 6D-0197

Quality & Environmental Management:

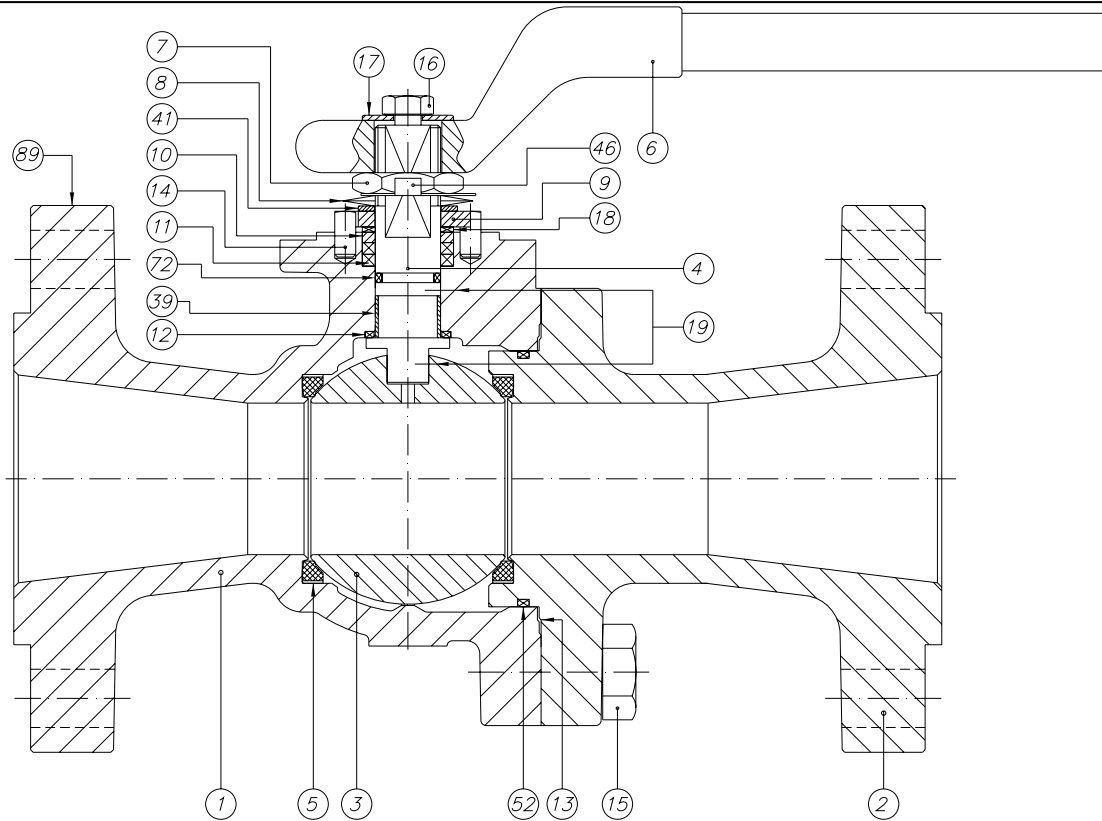




Ball Valves PN 100 (Class 600)

DN 50 - 100 (2" – 4")

Parts and materials



| Item | Description | Material | |
|------|----------------------|---------------------------|--------------------|
| | | AIN | IIN |
| 1 | Body | A 216 Gr. WCB (C ≤ 0,25%) | A 351 Gr. CF8M |
| 2 | Body connector | A 216 Gr. WCB (C ≤ 0,25%) | A 351 Gr. CF8M |
| 3 | Ball | A 351 Gr. CF8M | |
| 4 | Stem | A 479 Tp.316 | |
| 5 | Seat ring | Nylon | |
| 6 | Wrench | Nodular iron | |
| 7 | Gland nut | Zinc plated carbon steel | AISI 303 |
| 8 | Disk spring | Carbon steel | EN.P. Carbon steel |
| 9 | Stop plate | Carbon steel | AISI 304 |
| 10 | Gland | AISI 303 | AISI 316 |
| 11 | Gland packing | Graphite | |
| 12 | Stem thrust seal | 25% G.F. PTFE | |
| 13 | Body connector seal | AISI 316L + Graphite | |
| 14 | Stop pin | Carbon steel | Stainless steel |
| 15 | Bolt | A 193 Gr. B7M | A 193 Gr. B8M |
| 16 | Bolt | DIN 933 5.6 Zinc plated | DIN 933 A2 |
| 17 | Washer | Zinc plated carbon steel | AISI 304 |
| 18 | Thrust washer | 25% G.F. PTFE | |
| 19 | Antistatic device | Stainless steel | |
| 39 | Stem bushing | 25% G.F. PTFE | |
| 41 | Spacer | Carbon St. | AISI 304 |
| 46 | Locking washer | AISI 304 | |
| 52 | "O" Ring | FKM | |
| 72 | "O" Ring | FKM | |
| 89 | Identification plate | Stainless steel | |

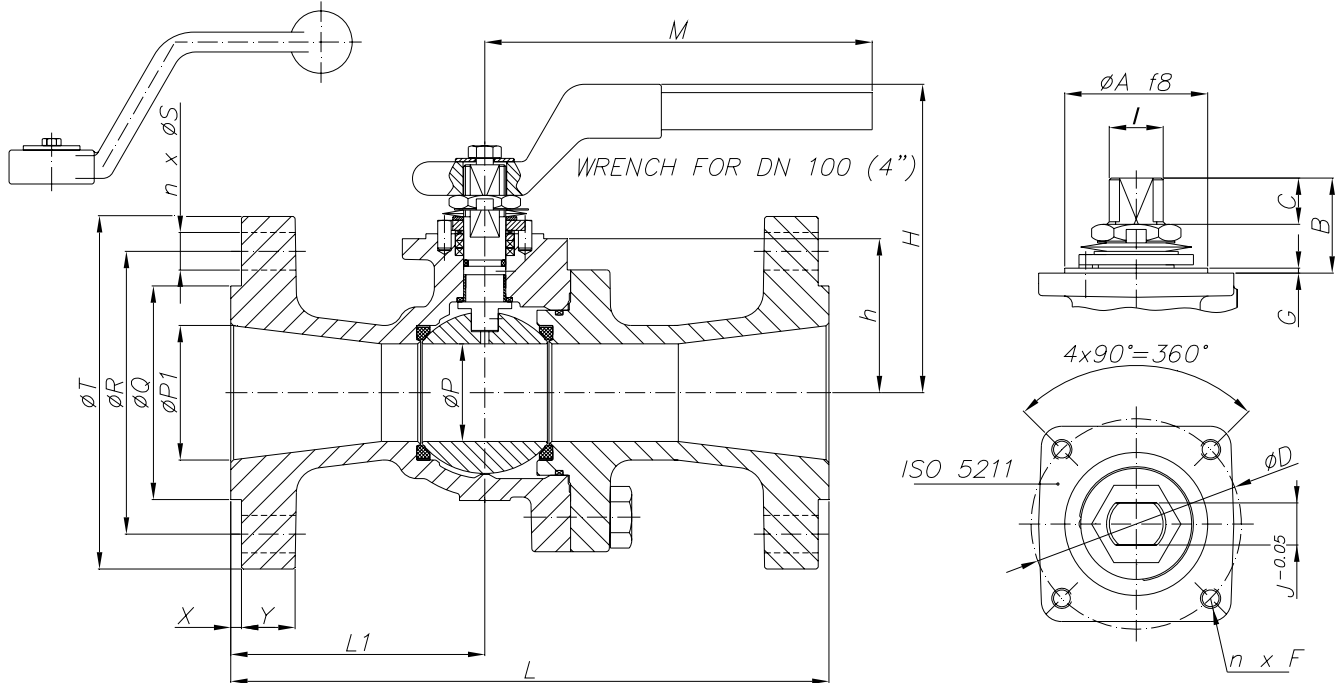


Ball Valves PN 100 (Class 600)

DN 50 - 100 (2" – 4")

Dimensions

WRENCH FOR DN 50 (2") & DN 80 (3")



Valve with wrench

| DN | ØP1 | ØP | L | L1 | ØQ | ØR | n x ØS | ØT | X | Y | h | M | H | WEIGHT |
|----------|------|----|-----|-----|-----|-------|--------|-----|-----|------|------|-----|-----|--------|
| 50 (2") | 50 | 40 | 292 | 120 | 92 | 127 | 8x19 | 165 | 6,4 | 25,4 | 65,5 | 348 | 137 | 17 |
| 80 (3") | 79,6 | 58 | 356 | 151 | 127 | 168,3 | 8x22,2 | 210 | 6,4 | 31,8 | 91,5 | 698 | 210 | 30 |
| 100 (4") | 100 | 80 | 432 | 190 | 157 | 215,9 | 8x25,4 | 275 | 6,4 | 38,1 | 122 | 698 | 275 | 64 |

(*) Dimensions in mm and weight in kg.

Actuator connection

| DN | ISO 5211 | ØA | B | C | ØD | n x F | G | I | J |
|----------|----------|----|------|------|-----|-------|---|---------|----|
| 50 (2") | F07 | 55 | 43 | 18,7 | 70 | 4xM8 | 3 | M22x1.5 | 16 |
| 80 (3") | F10 | 70 | 44 | 19,2 | 102 | 4xM10 | 3 | M25x2 | 18 |
| 100 (4") | F10 | 85 | 55,5 | 27 | 125 | 4xM12 | 3 | M35x2 | 25 |

(*) Dimensions in mm and weight in kg.



Ball Valves PN 100 (Class 600)

DN 50 - 100 (2" – 4")

General Characteristics, Torque&KV, P&T Rating

| GENERAL CHARACTERISTICS | Fig.660, Series SFR | Split Body | Floating Ball | Reduced Bore | |
|------------------------------------|---------------------------------|-------------------|------------------------|---------------------|----------|
| DESIGN STANDARDS | | | | | |
| Valves design | API 6D | ASME B16.34 | EN ISO 17292 / EN 1983 | API 608 | |
| Body design | ASME VIII Div.1 | | | | |
| Shell thickness | ASME B16.34 | EN ISO 17292 | | | |
| Flanges | ASME B16.5 Raised face | | | | |
| Face to face dimensions | ASME B16.10 Long pattern API 6D | | EN 558 Series 5 | | |
| Actuator mounting flange | ISO 5211 | | | | |
| Wetted parts materials and bolting | NACE MR.01.75 | | | | |
| Shell finishing quality | MSS SP 55 | | | | |
| Marking | API 6D | EN 19 | EN 19 | CE - PED | EN 19 |
| TESTS AND CERTIFICATES | | | | | |
| Quality Assurance | ISO 9001 | API Q1 | CE - PED | | |
| Fire Safe certification | BS 6755 Part 2 | API 6FA | ISO 10497 | | |
| Pressure testing | API 598 | EN 12266 | ISO 5208 | EN 12266 | EN 12266 |
| Other | ISO 14001 | ATEX | | | |

Torque Values in Nm

| VALVE SIZE | AT DIFFERENTIAL PRESSURE | |
|-------------|--------------------------|--|
| | Class 600 100 bar | |
| DN 50 (2") | 95 | |
| DN 80 (3") | 185 | |
| DN 100 (4") | 325 | |

Kv Values in m³/h

| DN 50 (2") | DN 80 (3") | DN 100 (4") |
|------------|------------|-------------|
| 140 | 300 | 600 |

Pressure-Temperature

For A216 Gr. WCB only. For other materials consult ASME B16.34

